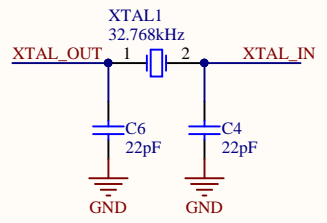
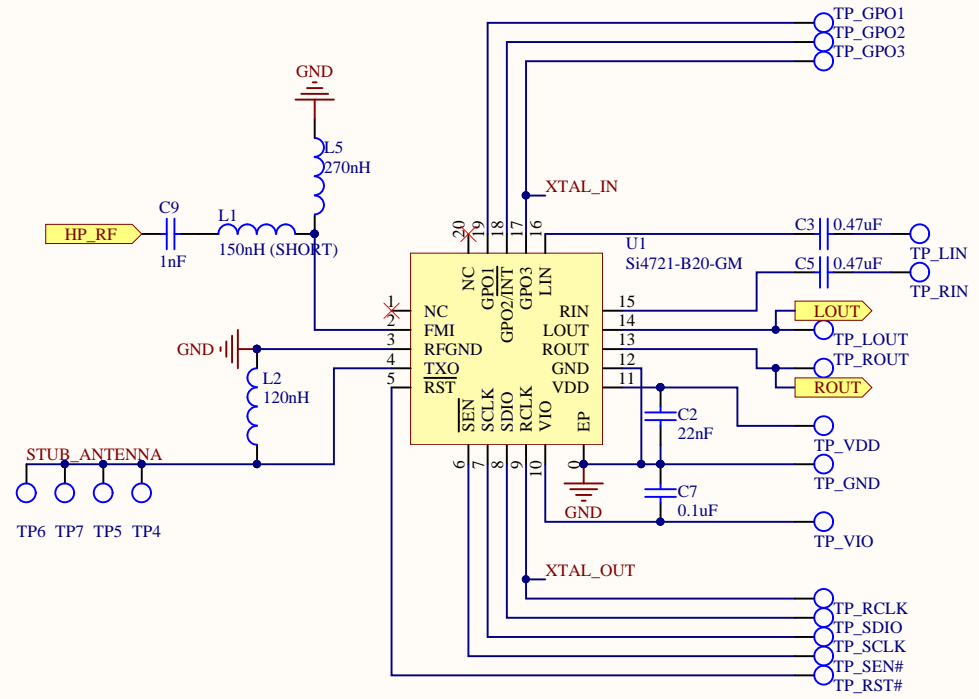


Title		
Size	Number	Revision
A4		
Date:	19/10/2017	Sheet of
File:	D:\_work\...\Audio Output Amp.SchDoc	Drawn By:



Title		
Size	Number	Revision
A4		
Date:	19/10/2017	Sheet of
File:	D:\_work\...FM Transceiver.SchDoc	Drawn By:

1

2

3

4

A

A

B

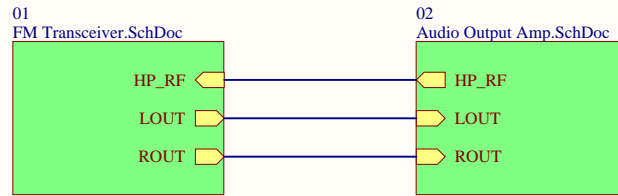
B

C

C

D

D



Title		
Size	Number	Revision
A4		
Date:	19/10/2017	Sheet of
File:	D:\_work\...\Main block diagram.SchDoc	Drawn By:

1

2

3

4

TP6

# Si4721 FM Transceiver Breakout (U2)

TP5

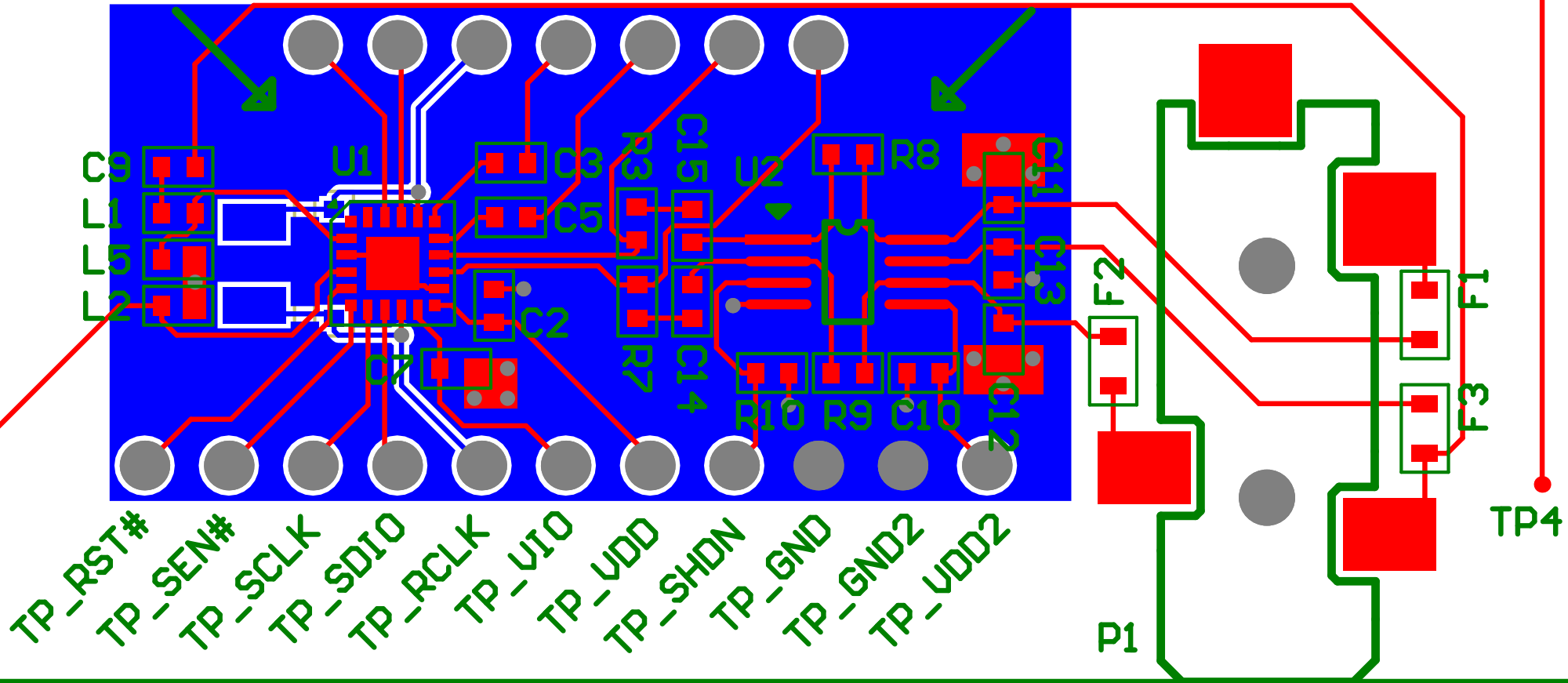


## Si4721

TP\_GP01  
TP\_GP02  
TP\_LIN  
TP\_RIN  
TP\_GP03  
TP\_LOUT  
TP\_ROUT

## LM4910

TP7



TP\_RST#  
TP\_SEN#  
TP\_SCLK  
TP\_SDIO  
TP\_RCLK  
TP\_VIO  
TP\_VDD  
TP\_SHDN  
TP\_GND  
TP\_GND2  
TP\_VDD2

TP4

P1

F1  
F2  
F3